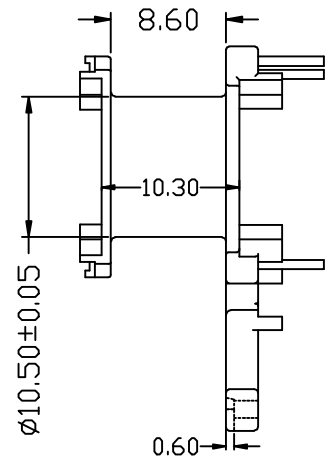
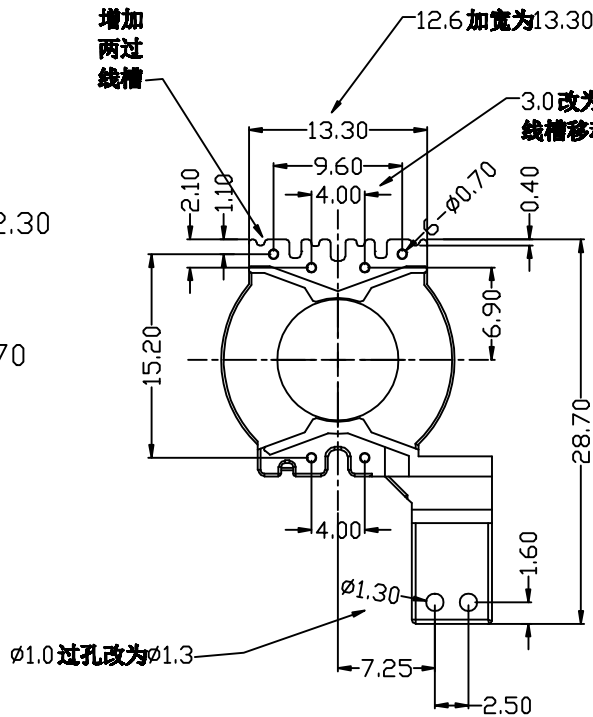
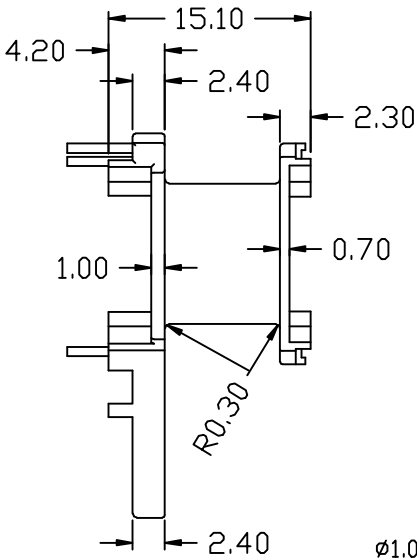


A-A

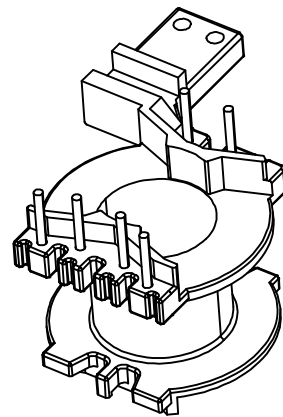
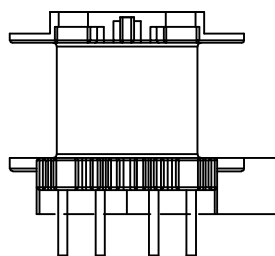
增加
两过
线槽

12.6加宽为13.30

3.0改为4.0
线槽移动0.5



A-A ↓



REV.	REVISIONS REC.	DATE:	REV.	REVISIONS REC.	DATE:
0	初版发行		2		
1			3		
DRAWN & DRAFTED BY		CHEN		TOLERANCES	
CHECKED & APPROVED BY		LIU		pin pitch ±0.2	
		ANGLE: ±1°		TITLE: PQ2016	
		UNIT: MM		BOBBIN MATERIAL: PM9820 BK	
		SCALE:		PIN MATERIAL: CP WIRE	
		DATE: 2018.07.04		UL REC. UL 94V-0	
		DRAWING NO. FX-2070		PIN TENSION LOAD: 1.0KG	
		REV. 0			