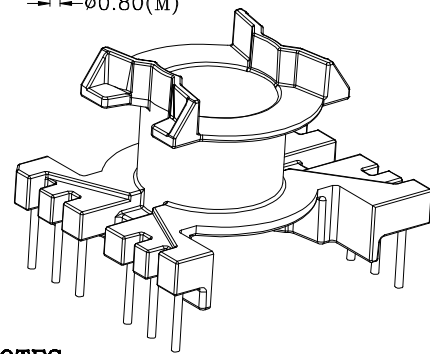
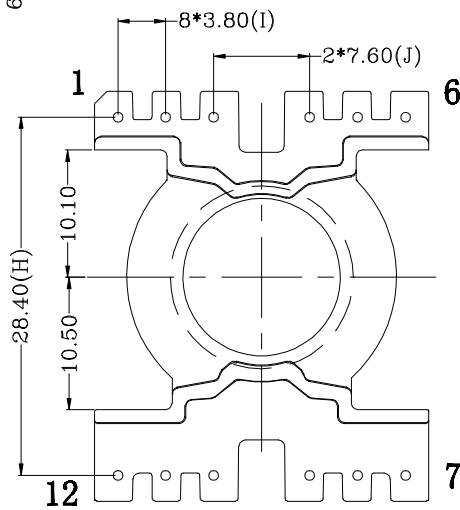
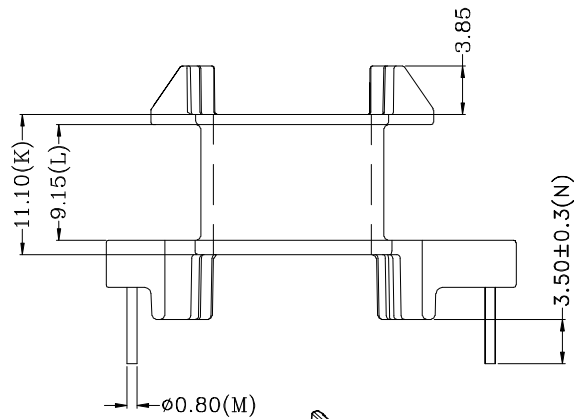
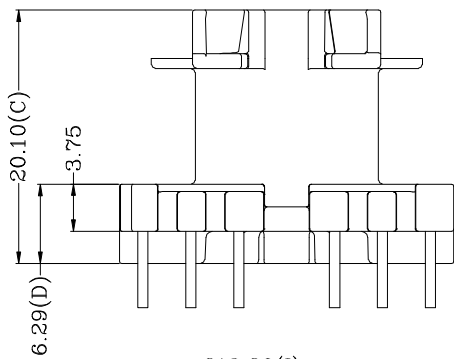
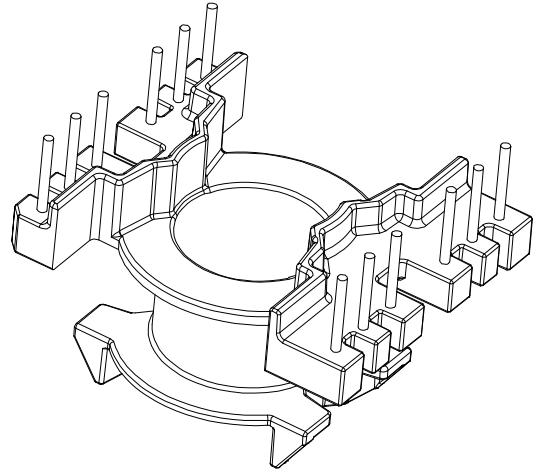
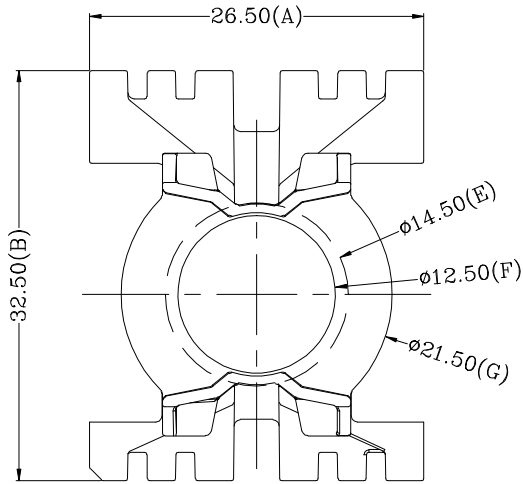


REVISION	AMIND DESCRIPTION	DRAWN BY	CHECKED BY	APPROVED BY



NOTES:

1. CUSTOMER:
2. MATERIAL: PH(PM9820)、CP WIRE
3. COLOR: BLACK
4. MUST TO CHECK ALL OF DIMENSION
5. PIN TENSION LOAD: MIN 1.0KGF

TOLERANCE UNLESS SPECIFIED 16<L ±0.3 4<L≤16 ±0.2 0<L≤4 ±0.1 Angles: ±0.5° Round:0.3	DWG. NO. HD-755		DESCRIPTION PQ2620-12P			
	DRAWN BY	2013/01/21				
	CHECKED BY		PART NO. HD-755			
	APPROVED BY		VERSION A1	SHEET 1 OF 1	SIZE A4	SCALE FIT