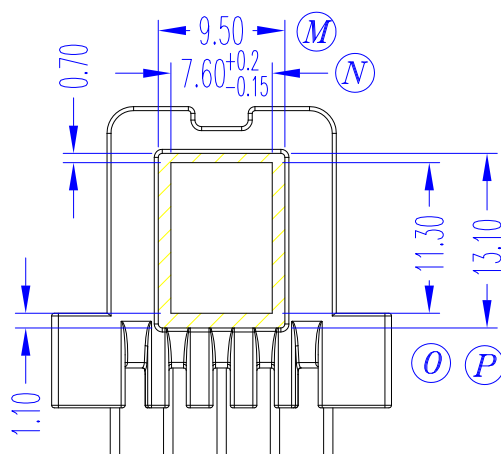
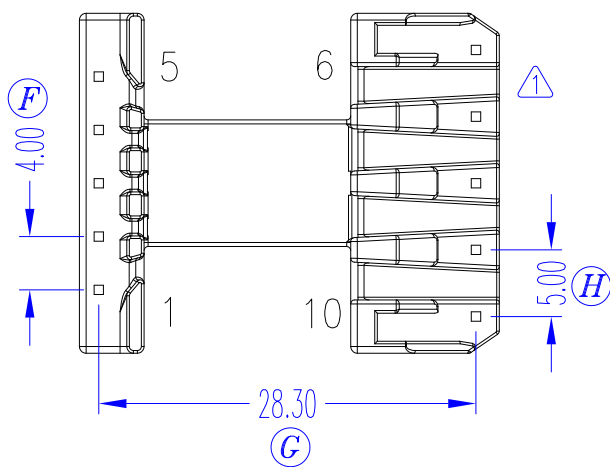
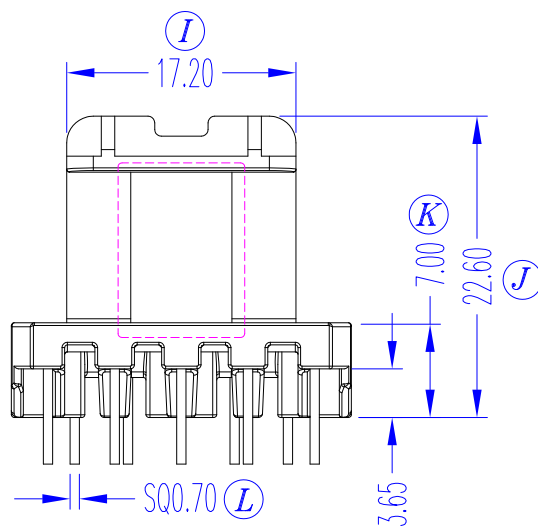
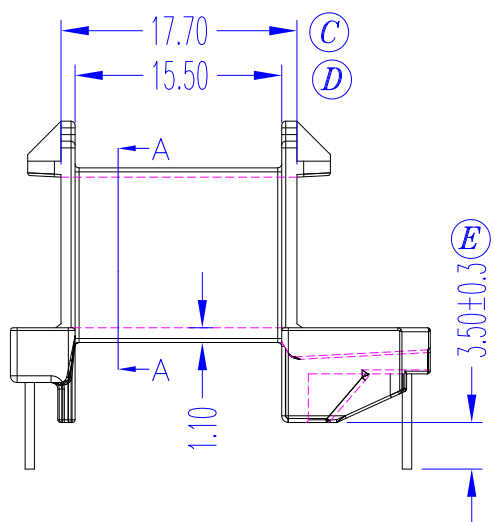
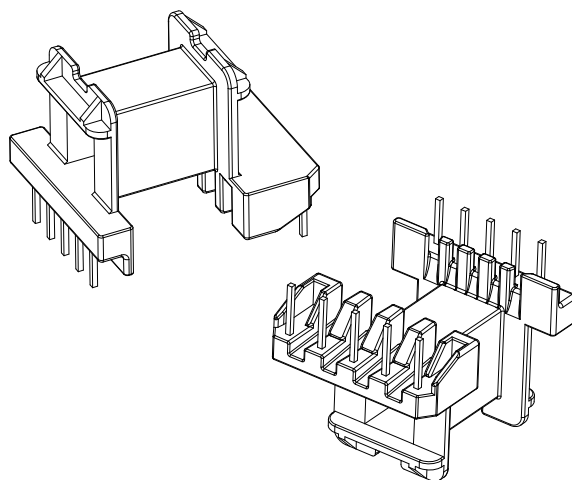
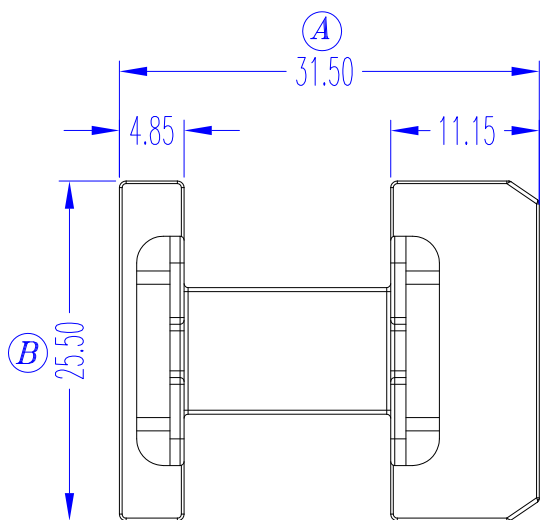


REV.	REVISIONS	REC.	DATE
1	修改PIN座结构		2016.03.26
2	变更"N"尺寸公差		2017.02.06
3			



SEC. A-A

DRAWN & DRAFTED BY CHERRY	TOLERANCES		ANGLE: ±1°	TITLE & DESC.: T-H BOBBIN EF25(5+5PIN)	
	0<L≤4 ±0.1	pin pitch ±0.2	UNIT: MM	MAINBODY MATERIAL: PHENOLIC T375HF	UL REC. UL 94V-0
CHECKED & APPROVED BY J.RONG	4<L≤16 ±0.2		SCALE: 1:1	PIN MATERIAL: CP WIRE	PIN RETENTION LOAD: 2.0 KGF MIN
	16<L≤63 ±0.3			INITIAL RELEASE DATE: JUL.23, 2015	DRAWING NO. JT-2514
					PAGE: 1/1