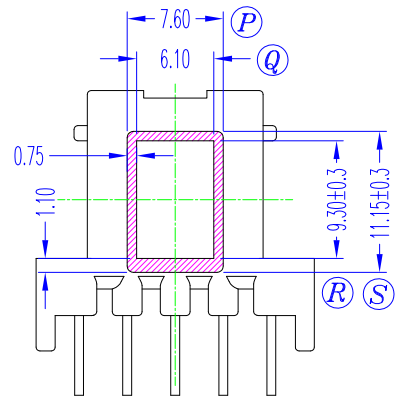
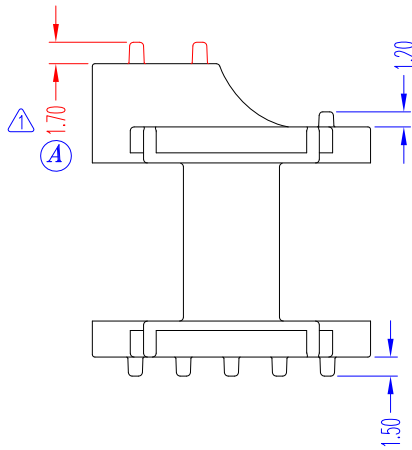
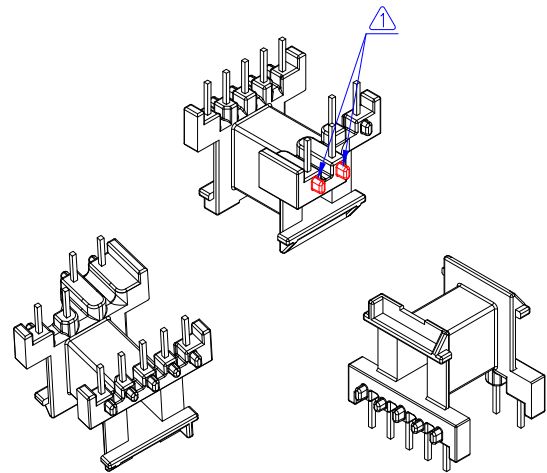
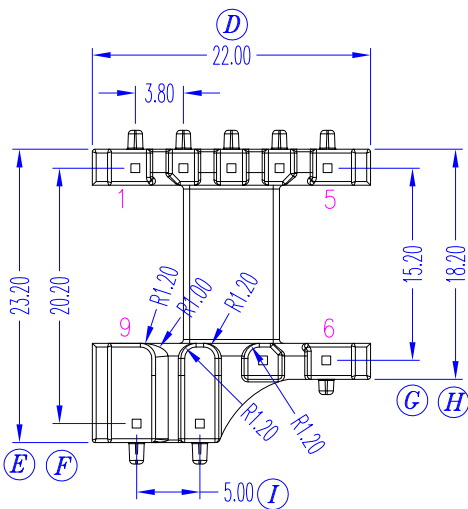
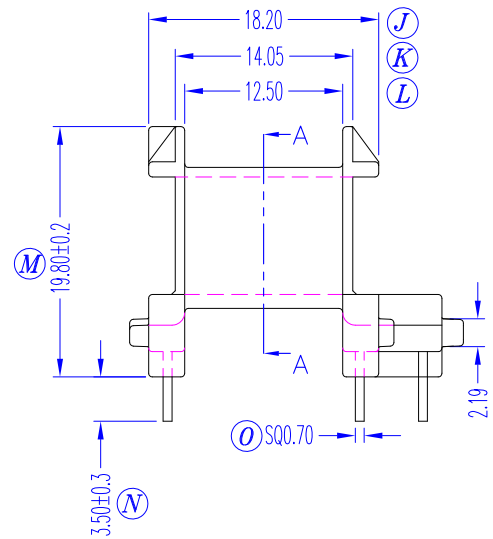
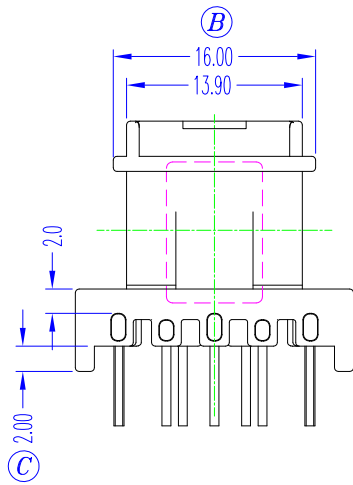


REV.	REVISIONS	REC.	DATE
1	凸点加胶0.5mm		2017.04.07
2			
3			



SEC. A-A



DRAWN & DRAFTED BY	KEY	TOLERANCES		ANGLE:	TITLE & DESC.: T-H BOBBIN EF20 (5+4 PIN)		
		0<L≤4 ±0.1	pin pitch ±0.2	±1°	MAINBODY MATERIAL:	UL REC.	
CHECKED & APPROVED BY	J.RONG	4<L≤16 ±0.2			UNIT:	T375HF BK	UL 94V-0
		16<L≤63 ±0.3	MM		PIN MATERIAL:	CP WIRE	PIN RETENTION LOAD:
				SCALE:	INITIAL RELEASE DATE:		DRAWING NO.
				1:1	NOV.29, 2016		
						PAGE:	
						1/1	