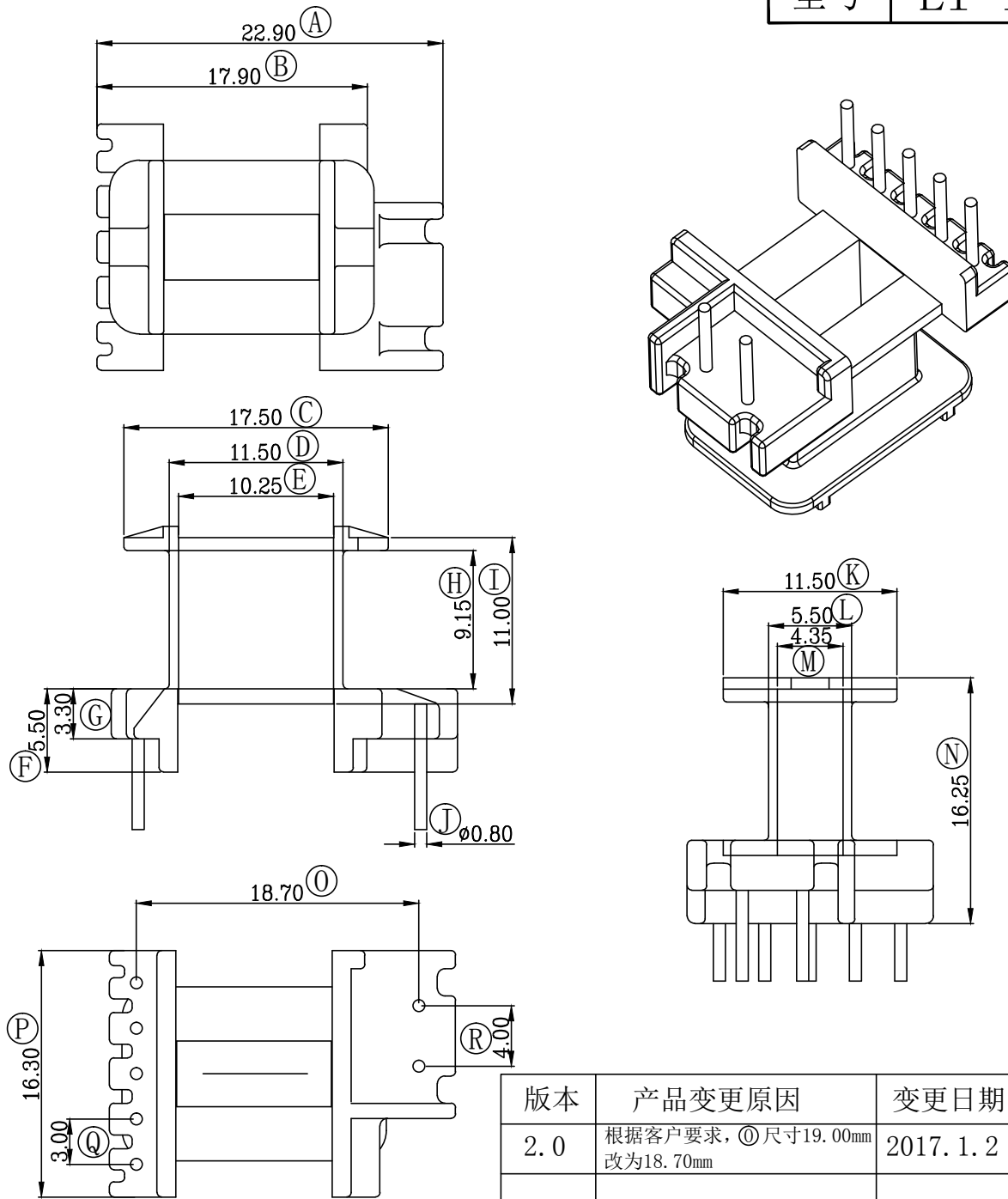


型号 EI-1627



版本	产品变更原因	变更日期	确认
2.0	根据客户要求, ①尺寸19.00mm改为18.70mm	2017.1.2	朱登红

Angle: +/-1°	Model name: EI-16 (5+2pin)		
Unit: mm	UL Recognition: UL 94V-0	Bobbin material: PHENOLIC	
Scale: 1/1	Pin tension load: 0.8 Kg min	Pin material: CP Wire	
	Date: 2015/04/26	Drawing NO: EI-1627	Rev: 2.0

Drawn by	Zhu Denghong	<b>Tolerances</b> 0<L<4    ±0.1 4<L<16   ±0.2 16<L<50   ±0.3 Pin Pitch   ±0.05
Check by	Li Hui	
Approved	Tu Liqun	