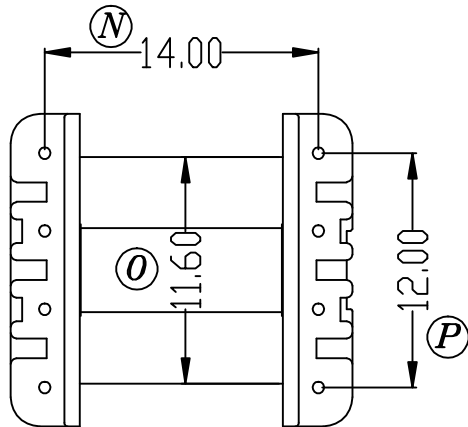
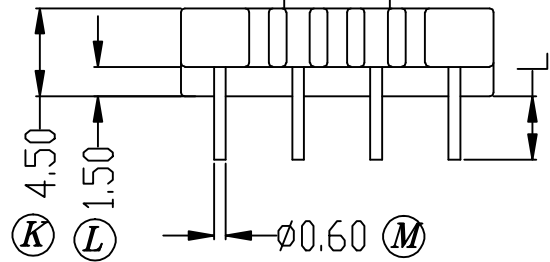
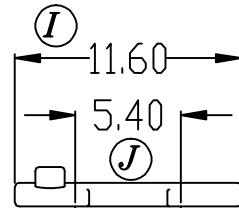
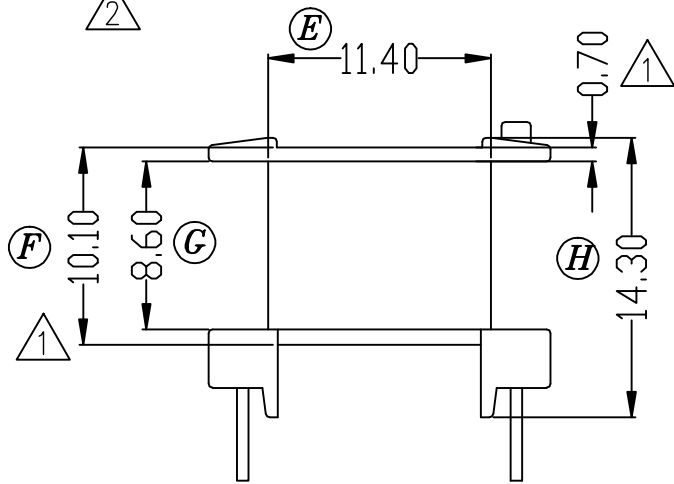
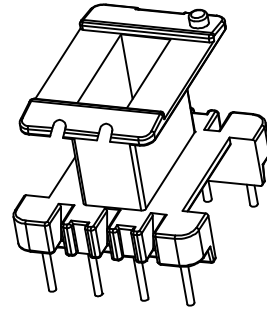
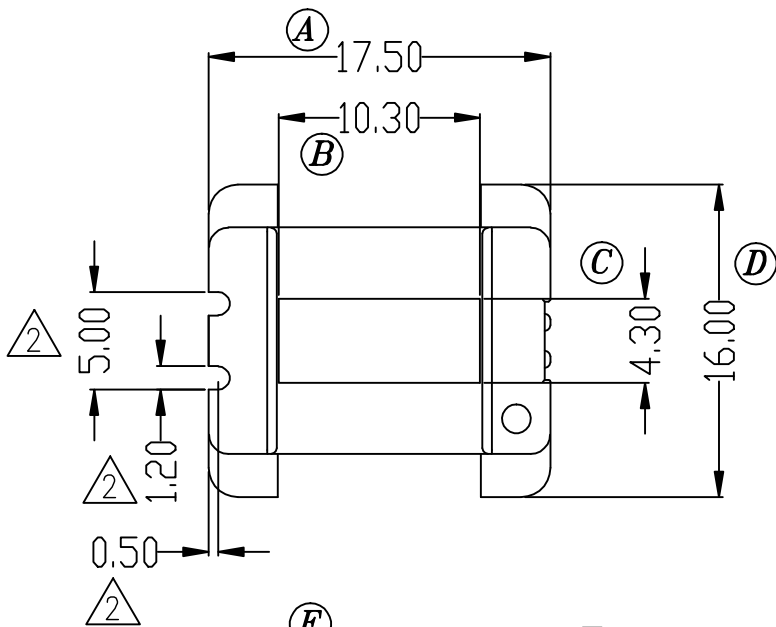


HC-1622



REV.	REVISIONS REC.	DATE	REV.	REVISIONS REC.	DATE
1	△1 加胶0.1MM	2014-12-5	4		
2	△2 增加两个分线槽	2015.5.13	5		
3			6		

DRAWN & DRAFTED BY	TOLERANCES	ANGLE:	TITLE: EE-1610	
		±1°	BOBBIN MATERIAL:	UL REC. UL 94V-0
CHECKED BY	pin pitch	UNIT:	PHENOLIC	
APPROVED BY	±0.1 ±0.2 ±0.3	MM	CPU WIRE	PIN TENSION LOAD: 1.5KG MIN
		SCALE: 1:1	DATE:	DRAWING NO. HC-1622
				REV. 2