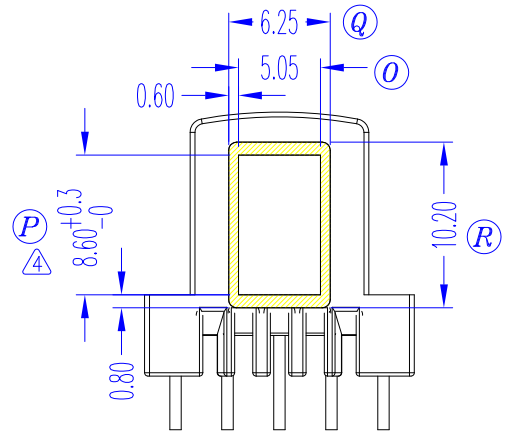
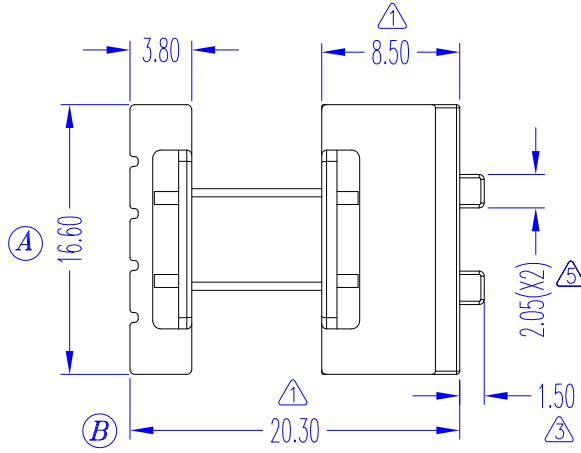
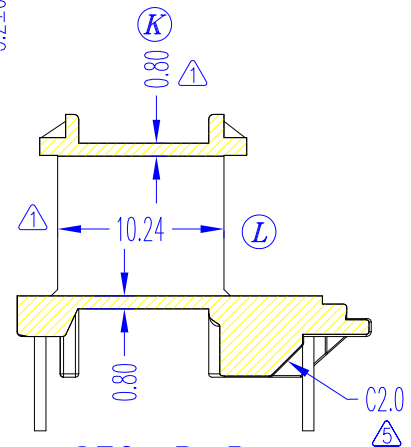
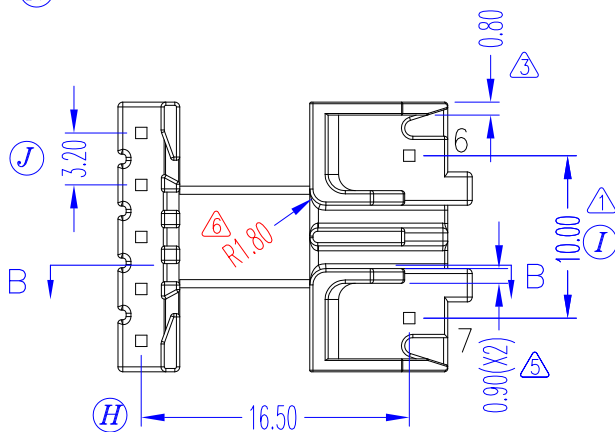
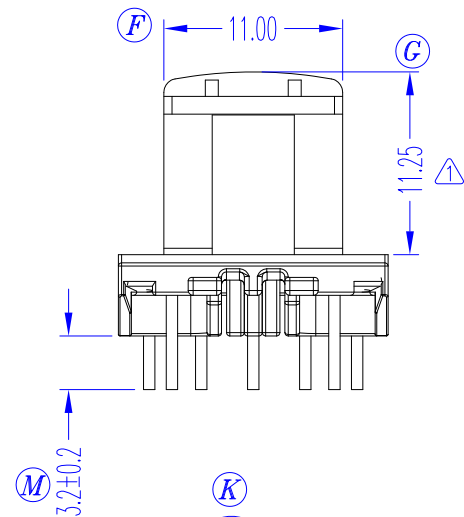
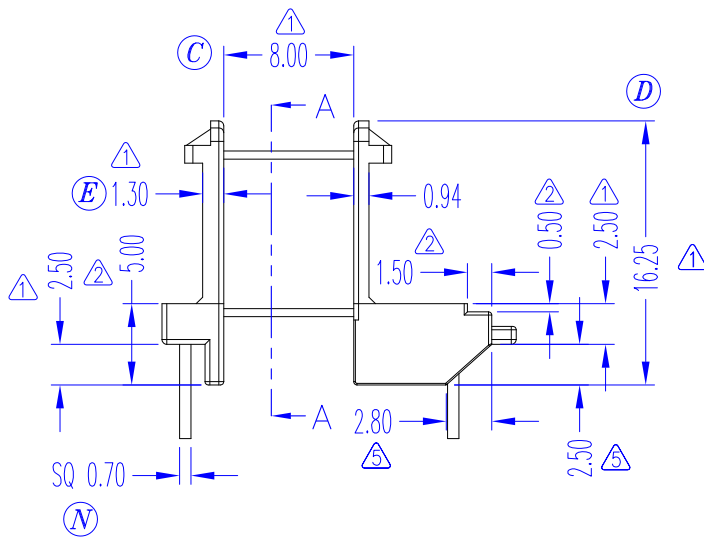


REV.	REVISIONS REC.	DATE
1	变更尺寸及结构，模具需重开一穴	2014.08.20
2	变更PIN座上的槽的位置及5PIN边PIN座的厚度	2014.08.21
3	变更凸点尺寸及2PIN边PIN座上加档墙	2014.09.26
4	变更(P)尺寸公差，量产模正式发行	2014.12.10
5	变更PIN座结构，详见	2015.03.26
6	追加次极边R角	2016.06.14



SEC. A-A



SEC. B-B

DRAWN & DRAFTED BY CHERRY	TOLERANCES		ANGLE: $\pm 1^\circ$	TITLE & DESC.: T-H BOBBIN ELPD16 (5+2 PIN)	
	0<L≤4 ±0.1	pin pitch ±0.2	UNIT: MM	MAINBODY MATERIAL: PHENOLIC	UL REC. UL 94V-0
CHECKED & APPROVED BY J.RONG	4<L≤16 ±0.2		SCALE: 1:1	PIN MATERIAL: CP WIRE	PIN RETENTION LOAD: 1.0 KGF MIN
	16<L≤63 ±0.3		INITIAL RELEASE DATE: JUL.01, 2014	DRAWING NO. JT-1610	PAGE: 1/1