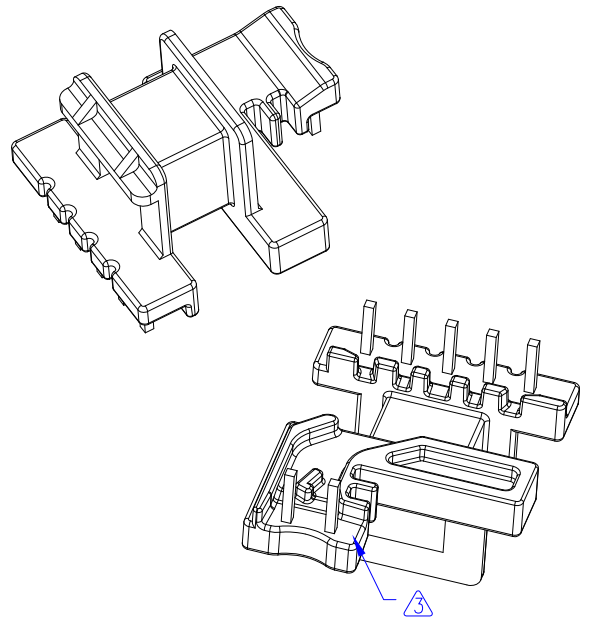
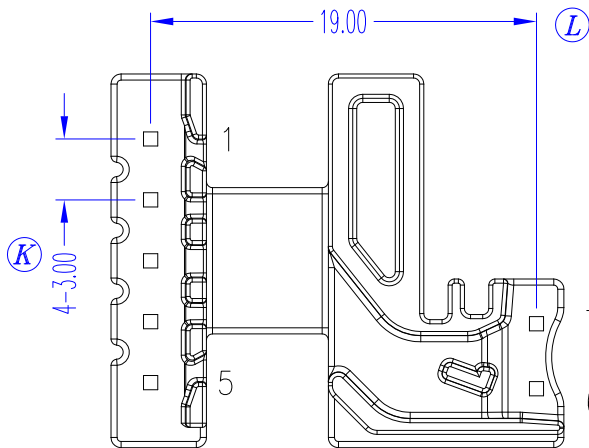
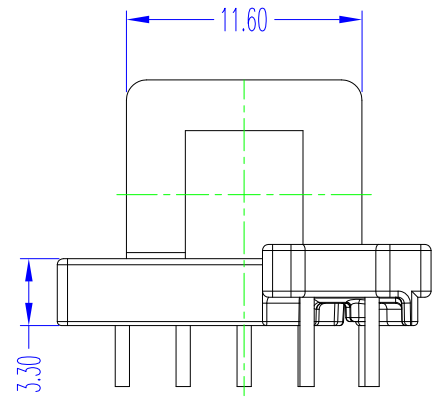
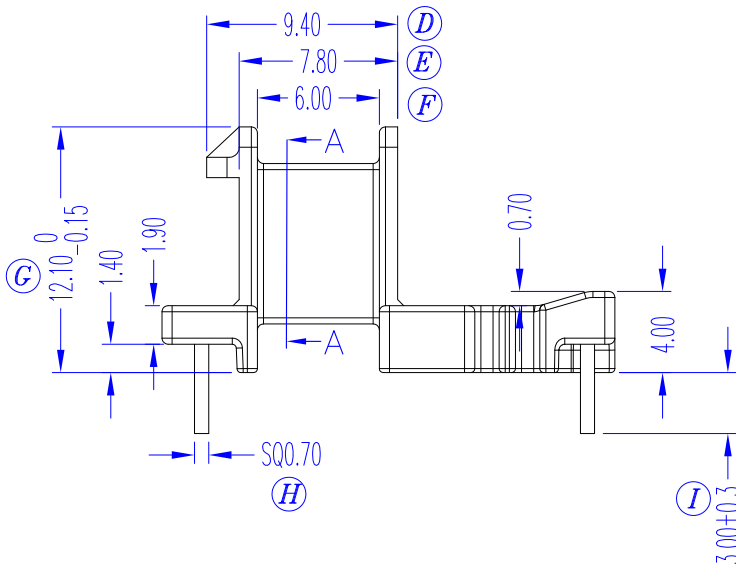
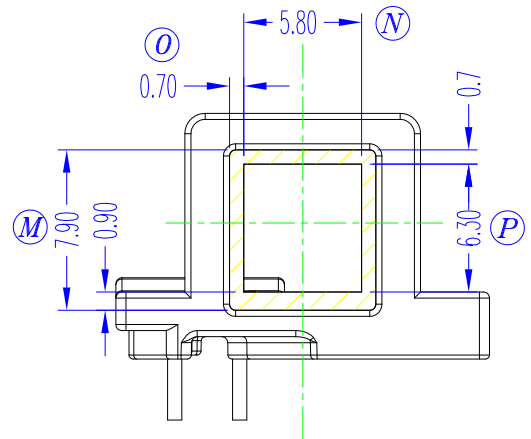
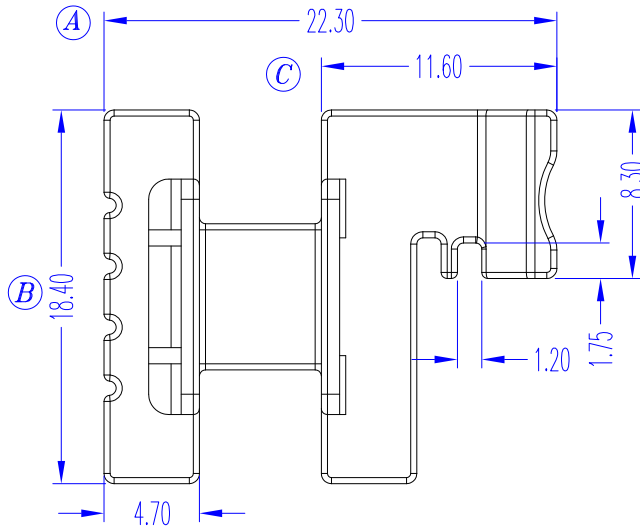


REV.	REVISIONS REC.	DATE
1	设变结构,重新开一穴	2014.12.27
2	量产模正式发行	2015.08.27
3	取消 2 PIN处凸点 \triangle	2015.12.16



DRAWN & DRAFTED BY CHERRY	TOLERANCES		ANGLE: $\pm 1^\circ$	TITLE & DESC.: T-H BOBBIN EE18 (5+2 PIN)		
	0<L≤4 ±0.1	pin pitch ±0.2		MAINBODY MATERIAL: PHENOLIC PM9820		UL REC. UL 94V-0
CHECKED & APPROVED BY J.RONG	4<L≤16 ±0.2		SCALE: 1:1	PIN MATERIAL: CP WIRE		PIN RETENTION LOAD: 0.8 KGF MIN
	16<L≤63 ±0.3	INITIAL RELEASE DATE: OCT.03, 2014		DRAWING NO. JT-1802	PAGE: 1/1	